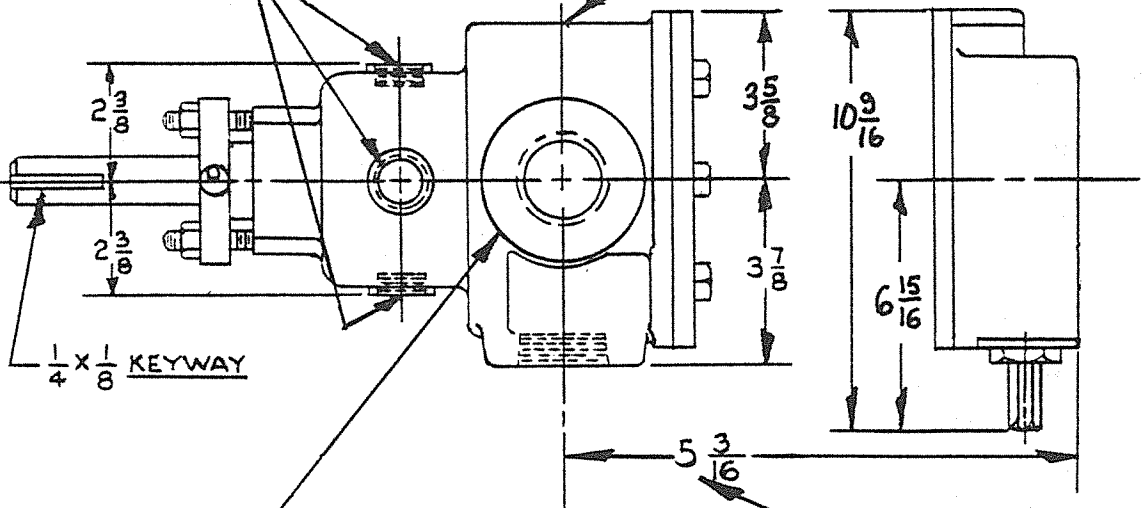


CCW PUMP HAS SUCTION PORT ON THIS SIDE

$\frac{3}{4}$ X 14 NPT - 3 HOLES

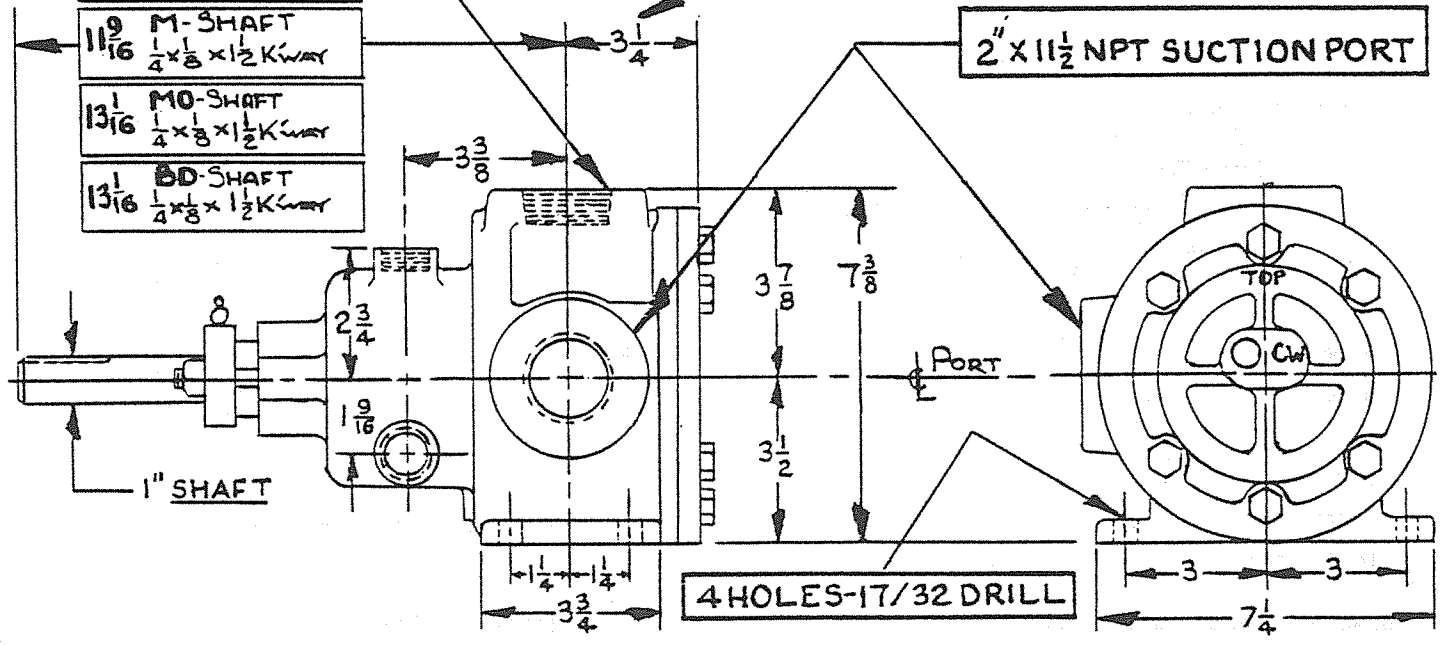


2" X 11 1/2 NPT DISCHARGE PORT

40AX THIS DIMEN. APPLIES TO BYPASS HEAD

40A THIS DIMEN. APPLIES TO SOLID HEAD

- 11 9/16 T-SHAFT
 $\frac{1}{4} \times \frac{1}{8} \times 1\frac{1}{2}$ KEYWAY
- 11 9/16 M-SHAFT
 $\frac{1}{4} \times \frac{1}{8} \times 1\frac{1}{2}$ KEYWAY
- 13 1/16 MO-SHAFT
 $\frac{1}{4} \times \frac{1}{8} \times 1\frac{1}{2}$ KEYWAY
- 13 1/16 BD-SHAFT
 $\frac{1}{4} \times \frac{1}{8} \times 1\frac{1}{2}$ KEYWAY



CW PUMP SHOWN

PUMP MODELS 40AX & 40A WITH STEAM JACKETED BODY

TR ROTOR INCORPORATED

36 EAST LAWTON STREET
TORRINGTON, CONNECTICUT
06790-6712 U.S.A.
860.482.8581

DRWN. BY: APPROVED: **J5850**