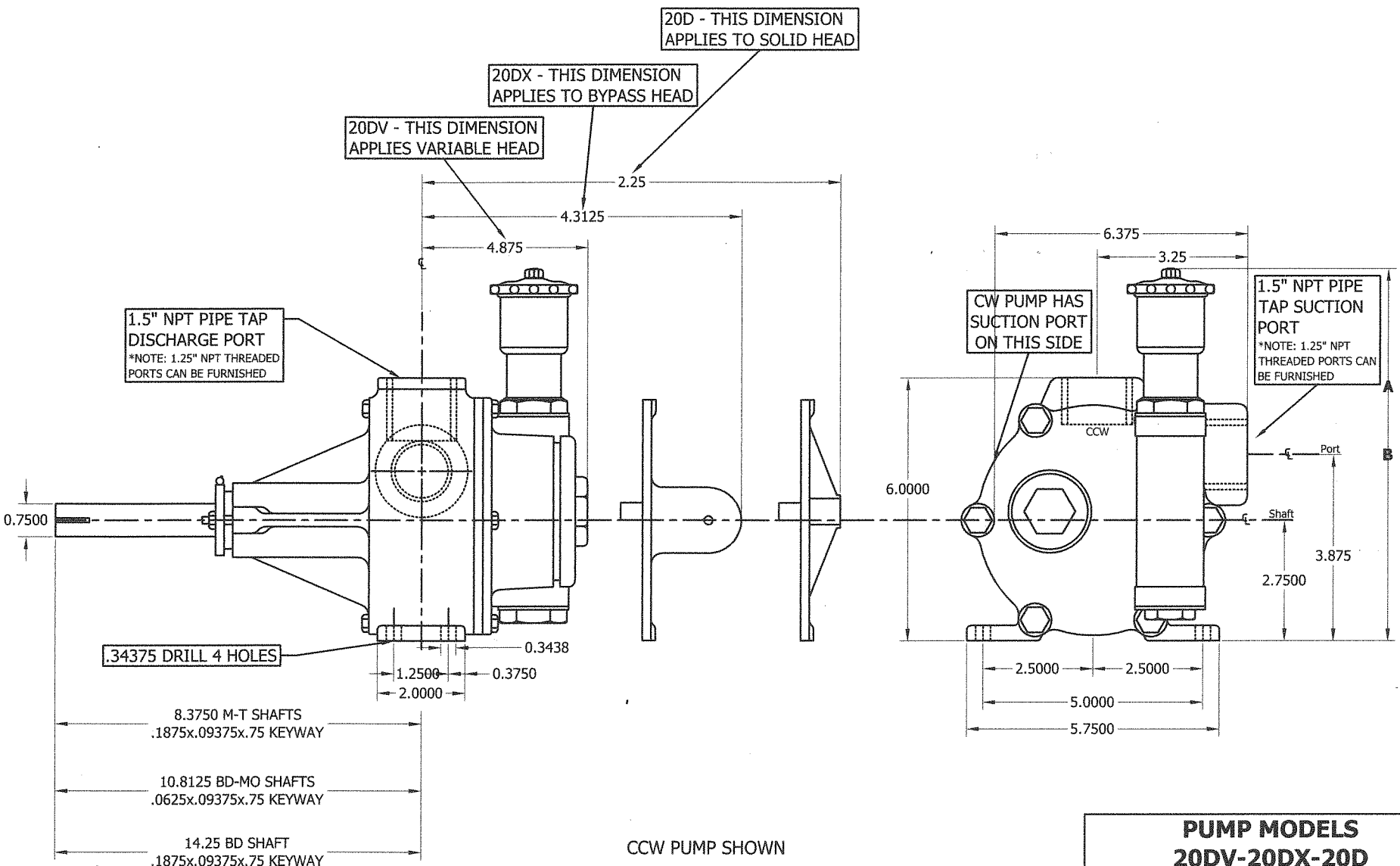


A	MFC	8.375 OPEN; EQUIPPED WITH MANUAL FLOW CONTROL
B	VFC	8.9375 OPEN: AS SHOWN; VERNIER FLOW CONTROL



PUMP MODELS
20DV-20DX-20D

TRI ROTOR INCORPORATED

36 EAST LAWTON STREET
TORRINGTON, CONNECTICUT
U.S.A. 06790-6712
PH: 860.482.8581 FX:8435

DRAWN BY: HLN 7/29/02

APPROVED BY:

J6013V