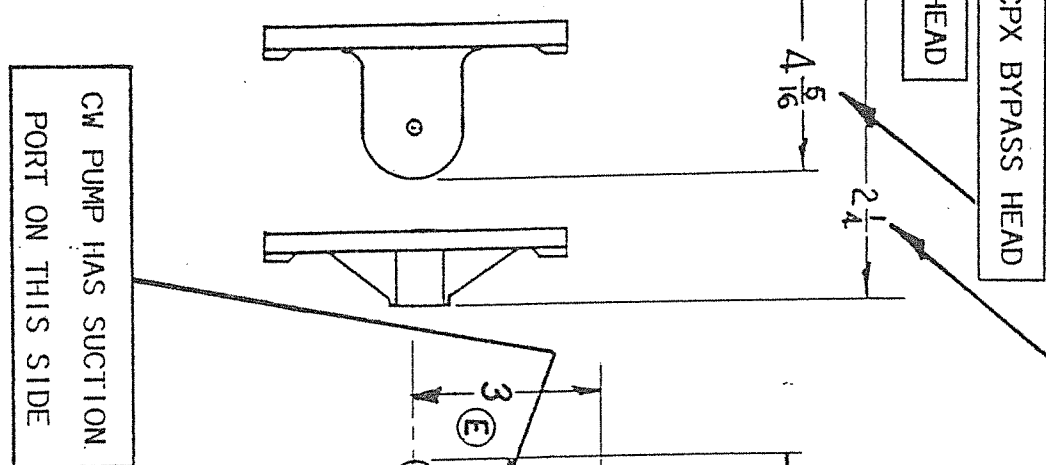
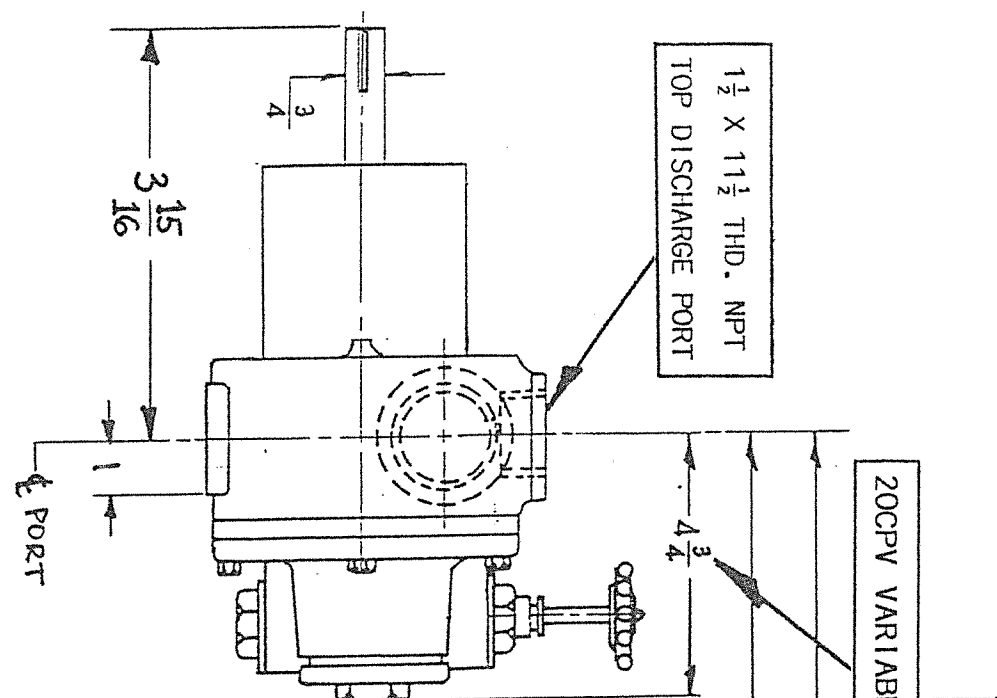


- A 5-3/4" OPEN AS SHOWN WITH MANUAL FLOW CONTROL [MFC]
- B 6-1/4" OPEN IF EQUIPPED WITH VERNIER FLOW CONTROL [VFC]
- C 7" IF EQUIPPED WITH 1-1/4 X 11-1/2 THD. NPT PORTS
- D 3-7/8" IF EQUIPPED WITH 1-1/4 X 11-1/2 THD. NPT PORTS
- E 3-5/8" IF EQUIPPED WITH 1-1/4 X 11-1/2 THD. NPT PORTS



CCW PUMP SHOWN

1 1/2 X 11 1/2 THD. NPT SIDE SUCTION PORT

SERIES .20 PUMP MODELS 20CPV - 20CPX - 20CP	
Tri-Rotor, Inc.	
TORRINGTON, CONN.	
DR. BY: HLN	JCP6013
APPR.	